



# Pressure Control and Check Valve / Fire Pump Surge Control Valve

## Model 42T-20

The BERMAD model 42T-20 is an elastomeric, hydraulically operated, self actuated automatic pressure control valve with a check valve feature. This valve is designed for advanced fire protection systems in accordance with the NFPA-13 and NFPA-20 guidelines.

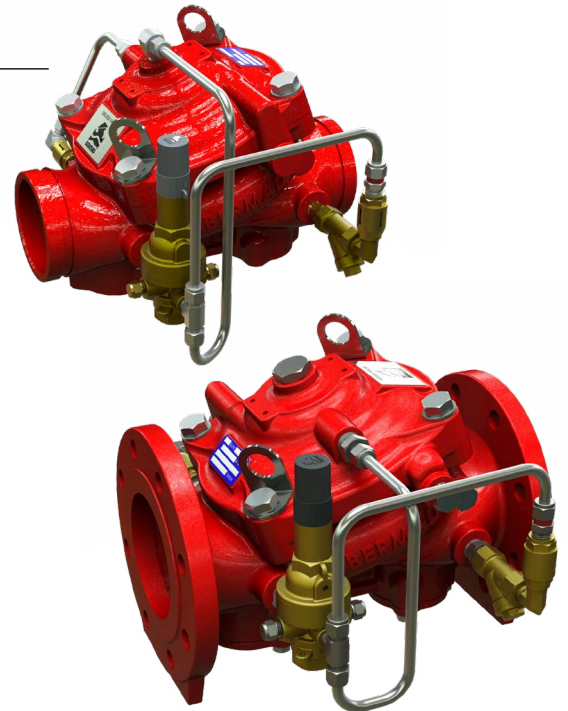
This valve can be used for pressure reducing integrated with a check valve or as a fire pump surge control valve.

It can reduce a high upstream pressure to a low and stable designed system pressure, the check feature makes this valve ideal for fire system pressure control between floors in high rise buildings.

As a fire pump surge control valve the 42T-20 will prevent pump water surge pressure spikes, typically caused by the accelerated water flow during fire pump start-up.

In addition this valve will significantly reduce pump start negative suction pressure, preventing pump cavitation damage.

Due to exceptional reliability, safe actuation and low head loss, the 42T-20 is highly suited for fire pump discharge pressure control applications.



(for Illustration Only)

### Benefits and Features

- **Safety and reliability**
  - Time-proven, simple, safe actuation
  - Single piece, rugged, elastomeric VRSD technology
  - Obstacle-free, uninterrupted flow path
  - stem-less guide with no mechanical moving parts
- **High performance**
  - Straight-through flow with Minimal pressure / energy loss
  - Cost effective
  - Fast, smooth response to pressure changes
  - Certified for 20/25 bar (300/365 psi)
- **Designed for advanced fire protection systems**
  - Meets the requirements of the NFPA 13 and the NFPA-20 standards
  - Face-to-face length standardized to ISO 5752, EN 558-1
- **Quick and easy maintenance**
  - In-line serviceable
  - No mechanical moving parts
  - Quick cover removal without detaching control trim

### Typical Applications

- Pump discharge pressure
- Fire Pump surge prevention
- Sprinkler feed systems
- Branch pressure reducing and check valve
- Foam Systems

### Approvals



UL-Listed  
Special System Water Control  
Valves, Pressure Reducing (VLMT)  
Sizes 1½" - 16"



FM Approved  
Pressure Reducing Valves  
Sizes 1½" -16"



Det Norske Veritas  
(Type Approval)



ABS  
American Bureau of Shipping  
Type Approval



Lloyd's Register  
Type Approval

### Additional Features

- Sea water compatibility
- Large control filter for dirty water supply
- High Build epoxy coating
- Stainless steel seat ring
- Valve linear position indicator/switch



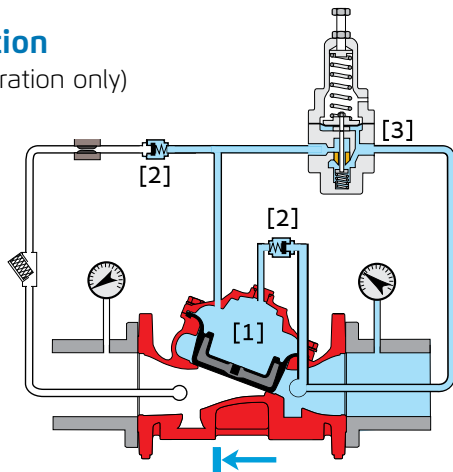
# BERMAD Fire Protection

Model FP 400Y - 42T-20

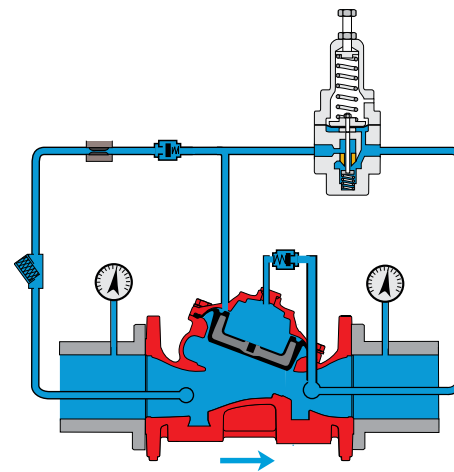
400Y Series

## Operation

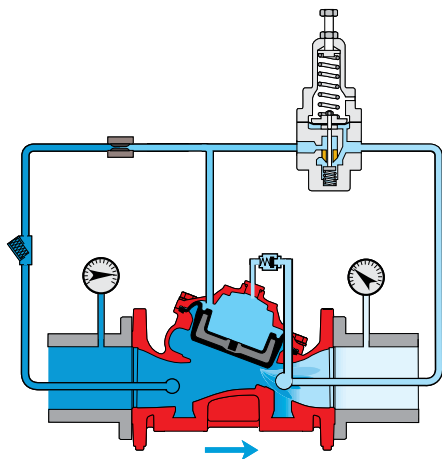
(for illustration only)



**Valve Closed** - The BERMAD 42T-20 control valve is kept shut tight when the main pump is idle by way of the jockey or maintenance pump pressure held in the valve's control chamber [1] by the check valves [2]. Under the same principle the 42T-20 acts as a system non-return valve, preventing water from flowing back to the main pump after pump shut down.



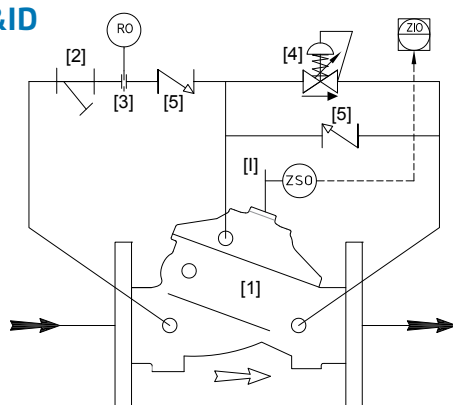
**Valve Open** - At pump start up the energy of the initial surge from the pump start will be arrested by the closed valve, preventing downstream pressure spikes and water surge in the system piping. The valve will continue to open in a controlled manner as pressure is released from the valve control chamber through the pilot valve [3] (see graph below).



**Valve Regulating** - When required the BERMAD 42T-20 control valve can be calibrated to reduce system pressure, working as a pressure control valve.

The 42T-20 acts as a surge protection valve and a system non return valve. In addition, if required the 42T-20 pilot [4] can be adjusted to control the outlet pressure ensuring a stable and precise pre-set downstream pressure regardless of flow or pressure fluctuations.

## System P&ID



## Components

1. BERMAD 400Y valve
2. Y Control filter
3. Restriction orifice
4. Pilot valve
5. Check valve

## Optional System Items\*

- I Visual indicator
- ZSO Limit switch

\* See also factory fitted items under the *Valve Code Designations* on the last page





## Fire Pump Control Application

### System Installation - Pressure Control

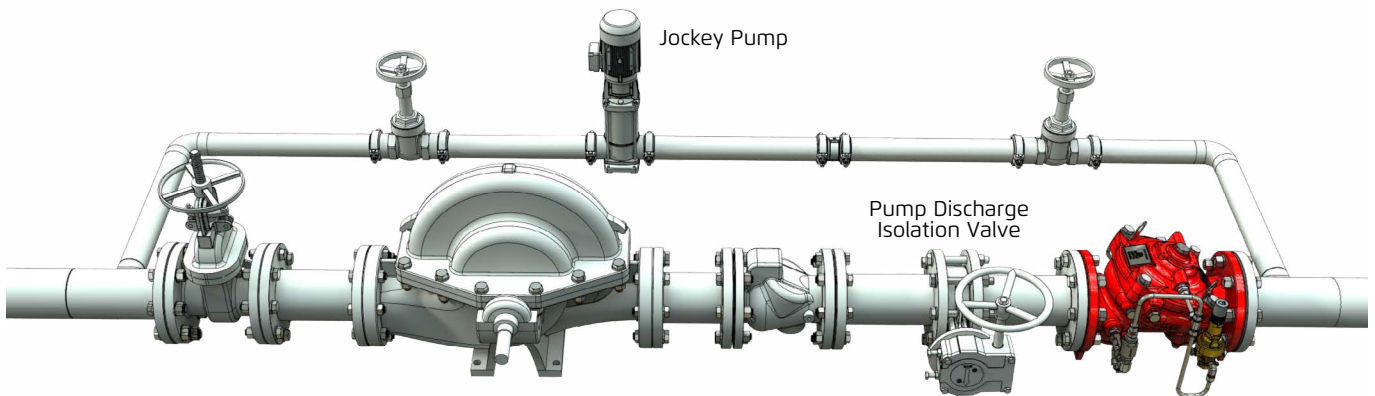
A typical installation of the BERMAD model 42T-20 is where the valve is installed downstream of the fire pump discharge isolation valve.

The jockey pump discharge pipe shall be connected downstream of the BERMAD 42T-20 control valve.

The 42T-20 is especially suited for this fire pump function, having an exceptionally high flow capacity and low pressure loss, owing to the unobstructed internal elastomeric construction and straight through flow path.

When the 42T-20 is fully open, it presents the least possible pressure loss delivering the maximum volume of firewater to the extinguishing devices.

The BERMAD 400Y 42T-20 has the high operational reliability inherent with elastomeric valves not having any bearings or shafts that might stick if the valve is to be dormant for long periods, as is often the case with fire protection systems. In addition the peripherally supported VRSD diaphragm (Vulcanized Radial Seal Disk) ensures many years of trouble-free high pressure performance.

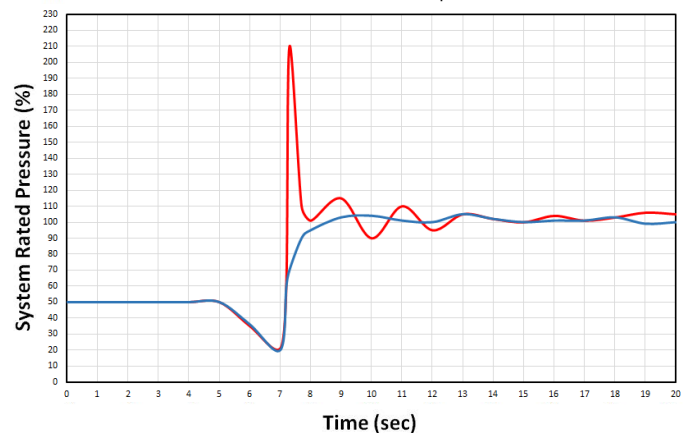


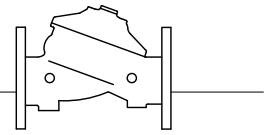
(for Illustration Only)

BERMAD 400Y 42T-20

In the graph opposite the red line shows the spike in system pressure at pump start. The blue line shows the system pressure at pump start after installation of the BERMAD 42T-20 with no spike in system pressure.

System pressure at Pump Start  
With and without 42T-20 Pump Control Valve





## Pressure Control / Check Application

### System Installation

A typical installation of the BERMAD model 42T features a pilot valve for the automatic stable and accurate reduction of water pressure from a high upstream value to a preset lower downstream value, regardless of fluctuating upstream pressure or flow. A unique actuator design ensures quick and smooth valve action.

Installed singly, the 42T provides a standard pressure-reducing system. Installed in parallel, two 42T valves provide high flow rates, redundancy, and zero downtime for maintenance. Installed in series, two 42T valves can provide a two-stage, high reduction in pressure and/or added protection to a reduced-pressure zone.

To comply with the requirements outlined in the FM, UL and NFPA standards, a pressure relief valve of at least 1/2" is to be installed on the downstream side of any pressure reducing valve. For sizing the required relief valve for optimal performance see the BERMAD recommendation in the table below.

42T Pressure Reducing Valve Size in. (mm)	1 1/2" (40)	2" (50)	2 1/2" (65)	3" (80)	4" (100)	6" (150)	8" (200)	10" (250)	12" (300)	14" (350)	16" (400)
Recommended Relief valve size, in. (mm)	3/4" (20)	3/4" (20)	3/4" (20)	3/4" (20)	2" (50)	3" (80)	3" (80)	4" (100)	2 x 4" (2x100)	2 x 4" (2x100)	2 x 4" (2x100)

The BERMAD FP-3HC-0 and 43T Pressure Relief valves are ideally suited for this purpose, as shown in the installation illustrations.

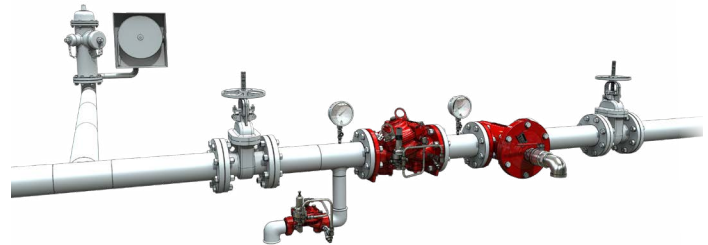
#### Pressure Reducing & Check Sprinkler Valve

- Pressure Control between floors incorporating a check valve feature
- Reduces a high, unstable pressure supply to a preset, stable system pressure
- Sets the sprinkler pressure to suit the system design
- For zonal pressure control



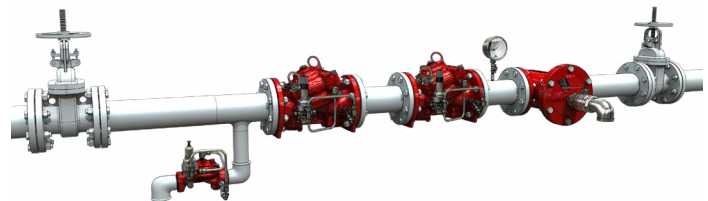
#### Hose System Pressure Reduction

- Reduces a high/unstable pressure supply to suit fire hose pressure
- Limits fire hose pressure to 7 bar (100 psi) to meet NFPA 14 regulations for maximum allowable hose pressure supply



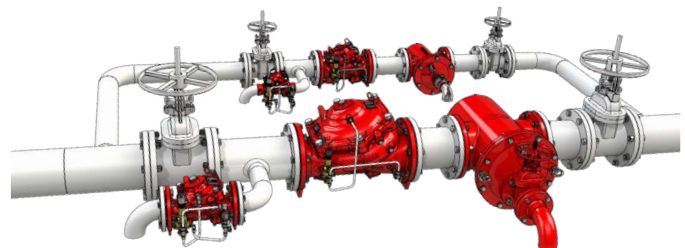
#### Two-Stage Pressure Reduction

- Backup pressure reducing valve in-line to a master valve to secure pressure zone rating at all times. When in doubt consult BERMAD.

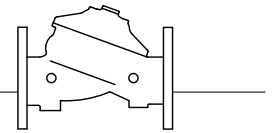


#### Parallel / Redundancy Pressure Reduction

- Recommended for a wide variation of flow rates. This arrangements enables high and low flow rates as well as providing a full pressure supply redundancy and serviceability with zero down time.



(for Illustration Only)



## Engineer Specifications

The Control Valve shall be UL listed and FM Approved as a Pilot Operated Pressure Control Valve with a Check Valve feature for fire protection, meeting the NFPA-13 and NFPA-20 guidelines.

The valve shall be with a straight-through body design and shall have an unobstructed flow path, with no stem guide or supporting ribs.

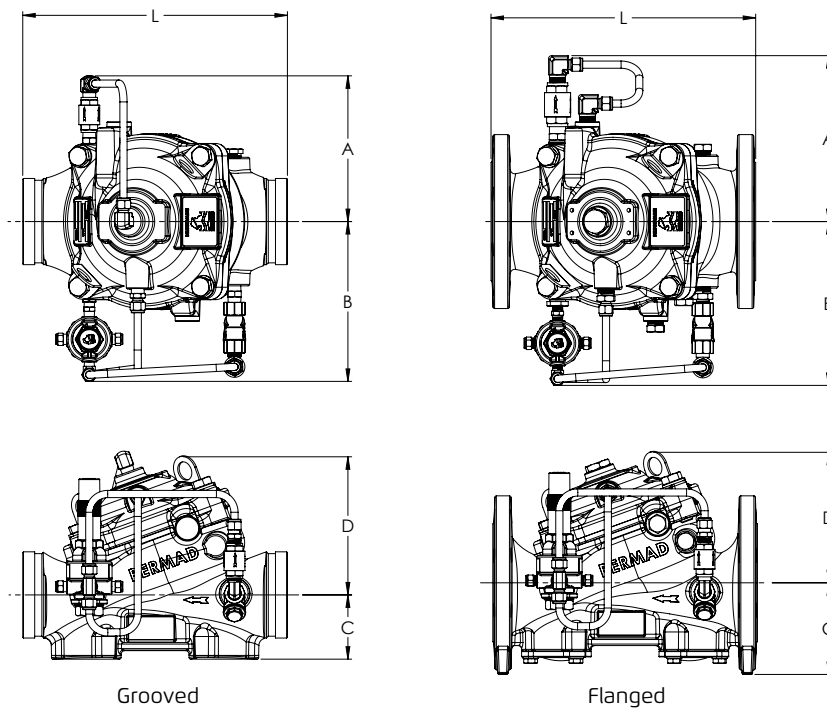
Valve actuation shall be accomplished by a single-piece, rolling diaphragm bonded with a rugged radial seal disk that shall be the only moving part.

The cover and valve body shall be ductile iron to ASTM A536 GR 65-45-12 coated internally and externally with a high build corrosion resistant epoxy coating.

The valve pilot system shall include a Balanced Pressure Control Pilot Valve, Y-type strainer, spring return check valve, a restrictor and Stainless Steel 316 tubing and fittings.

Removing the valve cover for inspection or maintenance shall be inline and shall not require removal of the control trim. The valve and its entire control trim shall be supplied pre-assembled and hydraulically tested by a factory certified to ISO 9000 and 9001 standards.

## Dimensions



Grooved

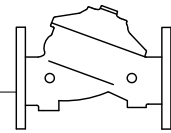
Flanged

Valve Size	1½" DN40		2" DN50		2½" DN50		3" DN80		4" DN100		6" DN150		8" DN200		10" DN250		12" DN300		14" DN350		16" DN400	
Unit	mm	in	mm	in	mm	in	mm	in	mm	in	mm	in	mm	in	mm	in	mm	in	mm	in	mm	in
L <sup>(1)</sup>	230	9.1	230	9.1	235	9.25	310	12.2	350	13.8	480	18.9	600	23.6	730	28.7	850	33.5	980	38.6	1100	43.3
L <sup>(2)</sup>	230	9.1	238	9.4	241	9.37	326	12.8	368	14.5	506	19.9	626	24.6	730	28.7	888	35	980	38.6	1100	43.3
A	132	5.2	135	5.3	137	5.4	155	6.1	170	6.7	180	7	190	7.5	204	8	242	9.53	242	9.53	242	9.53
B	155	6.1	155	6.1	187	7.4	251	9.88	266	10.47	372	14.65	490	19.29	490	19.29	656	25.83	656	25.83	656	25.83
C (flanged #150)	64	2.5	77	3	92	3.6	106	4.2	121	4.8	140	5.5	172	6.8	204	8	247	9.7	272	10.7	316	12.4
C (flanged #300)	78	3	86	3.4	97	3.8	106	4.2	129	5.1	162	6.4	193	7.36	226	8.9	232	10.3	296	11.7	329	13
C (grooved)	41	1.6	41	1.6	46	1.8	86	3.4	95	3.7	115	4.6	119	4.7	NA	NA	NA	NA	NA	NA	NA	NA
D	146	5.8	146	5.8	146	5.8	146	5.75	158	6.22	228	9	295	11.65	296	11.65	441	17.36	441	17.36	415	16.3
Kg/lb flanged#150/ISO16	17.9 / 39.4		19.3 / 42.5		23 / 50		34 / 74.8		44 / 95.8		87.3 / 192		150 / 331		180 / 397		323 / 712		356 / 784		403 / 886	
Kg/lb Grooved	15.3/33.4		15.6/34.5		18.6/41		26.5/59		32.4/71		78/171		133/293		NA		NA		NA		NA	

Notes: <sup>(1)</sup> Refers to the length dimensions for Raised Face ANSI #150, ISO 16 Flanged, Threaded Grooved valves

<sup>(2)</sup> Refers to the length dimensions for Raised Face ANSI #300 and ISO 25 Flanged valves

<sup>(3)</sup> Exact dimensions for the trim envelope may vary with specific component positioning



## Technical Data

### Available Sizes (inch)

- Flanged - 1½, 2, 2½, 3, 4, 6, 8, 10, 12, 14 & 16"
- Grooved - 1½, 2, 2½, 3, 4, 6, 8"
- Threaded - 1½ & 2"

### Pressure Rating

- ANSI#150: 17.2bar/250psi
- ANSI#300: 1½" to 10" 25bar/365psi, 12" to 16" 20bar/300psi (see note)
- Grooved: 1½" to 8" 25bar/365psi (see note)
- Threaded: 1½ & 2" - 25bar/365psi

**Note:** the 1½, 2 & 2½" valves are available with 28 bar/400 psi UL-Listed pressure rating

### Pilot Valves Data:

- #2PBL for 1½" to 10"
- #2HC for 12" to 16"

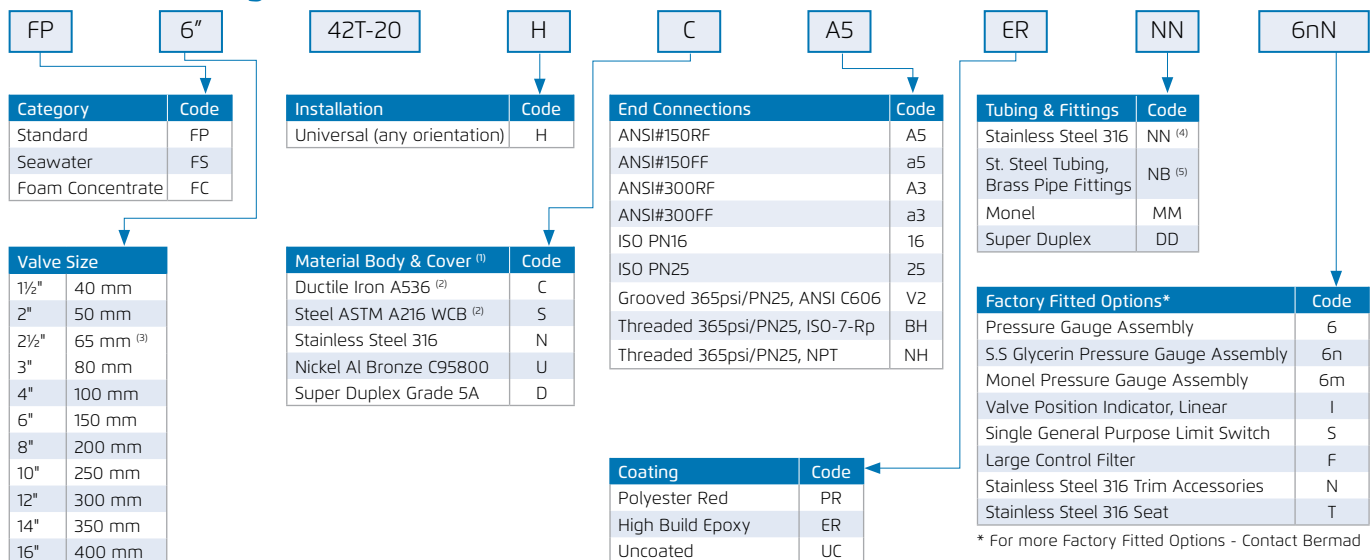
### Pressure Setting Range:

- UL-Listed: 4 - 12bar/60 - 175psi
- FM-Approved: 2 - 16bar/30 - 235psi

### Elastomer

- HTNR - Fabric Reinforced High Temperature Compound - See engineering data

## Valve Code Designations



### Notes:

- <sup>(1)</sup> Other materials available, see engineering data
- <sup>(2)</sup> Coated internally and externals
- <sup>(3)</sup> 2½" / 65 mm Available in Ductile Iron only
- <sup>(4)</sup> Applicable when ordered with Stainless Steel 316 Trim Accessories (code NN-N)
- <sup>(5)</sup> Manufacturers Standard: St. Steel 316 Tubing and Tube Fittings, Brass Pipe Fittings and Brass/Bronze Pilot Valve & Accessories

\* For more Factory Fitted Options - Contact Bermad

